


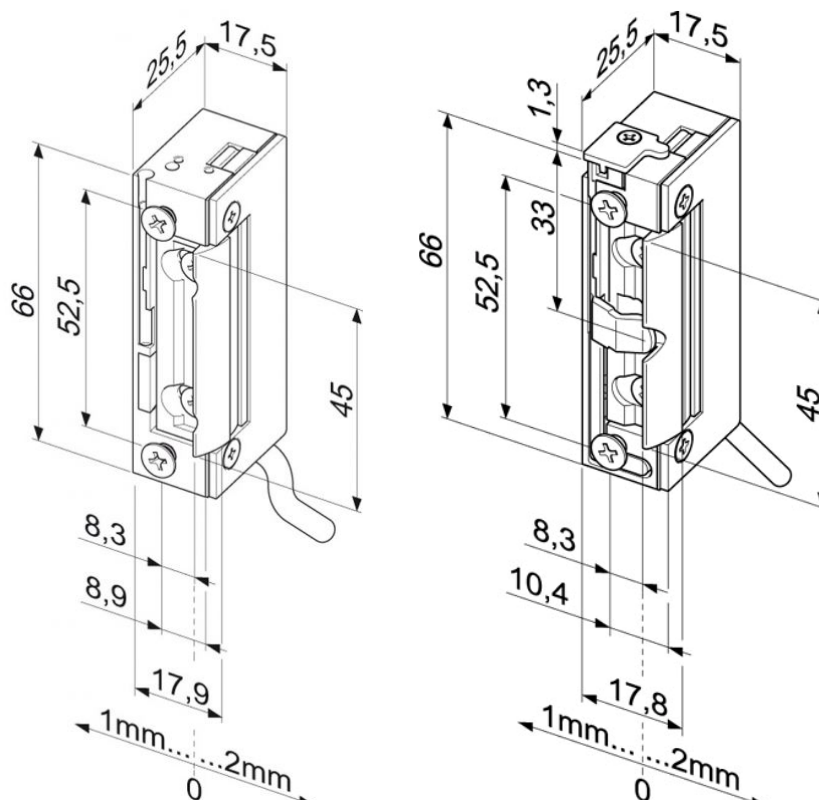
118W SERIES.

Universal electric strikes for outdoor use. A high-quality surface finish ensures it is optimally protected against corrosion. The electric coil is fully cast and thus protected against damp and water.

Don't forget known extras such as a monitoring contact, Profix2 adjustment, in this new serie the hold-open function is reversible. Both fail secure and fail safe modes of operation are available. The model is fitted with a built-in suppressor diode.

Technical Features

- Break-in resistance: 3750 N
- Class of protection: IP54
- Connecting cable 300mm length
- Symmetric design, so can be used DIN left-hand or right-hand
- Latch adjustment "Fafix"
- Universal voltage (Coil A7: 12-24V / Coil B7: 22V-42V)
- Continuous duty (Coil A7: 11-13VDC / Coil B7: 22-26VDC)
- Independent mounting position
- Operating temperature range: -15°C to + 40°C
- Max. Latch preload AC: 200N
- Max. Latch preload DC (stabilised): 50N
- Material housing: Die-cast zinc
- Latch material: Brass
- EC certification 



References

	Universal	Door Monitoring Contact	Suppressor diode	For Access Control Systems	Profix 2	Reference	Available Coils
Fail Secure	●		●	●		118W	A7,B7
	●	●	●	●		118WRR	A7,B7
	●		●	●	●	118W.13	A7,B7
	●	●	●	●	●	118W.23	A7,B7
Fail Secure (with mechanical unlocking)	●		●	●		118WE	A7,B7
	●	●	●	●		118WERR	A7,B7
	●		●	●	●	118WE.13	A7,B7
	●	●	●	●	●	118WE.23	A7,B7
Hold-open function	●		●	●		148W ¹	A7,B7
	●		●	●	●	148W.13 ¹	A7,B7
Hold-open function (with mechanical unlocking)	●		●	●		148WE ¹	A7,B7
	●		●	●	●	148WE.13 ¹	A7,B7
Fail Safe	●		●	●		138W	E9,F9
	●	●	●	●		138WRR	E9,F9
	●		●	●	●	138W.13	E9,F9
	●	●	●	●	●	138W.23	E9,F9

Please add to the electric strike reference, the striking plate and coil.

(1) Hold open function reversible

Striking plates

HZ 118 (Flat striking plate; 250mm long; For latch bolt locks with deadbolt; Galvanized finishing)

KL 118 (Flat striking plate; 110mm long; For latch bolt locks without deadbolt; Galvanized finishing)

HZ PROFIX (Flat striking plate with latch guide; 250mm long; For latch bolt locks with deadbolt; Stainless Steel finishing)

KL PROFIX (Flat striking plate with latch guide; 110mm long; For latch bolt locks without deadbolt; Stainless Steel finishing)

Available coils

(A7) 10-24V AC/DC (Current consumption at 12V DC 280mA, at 12V AC 250mA, at 24V DC 560mA, at 24V AC 500mA)

(B7) 22-42V AC/DC (Current consumption at 24V DC 160mA, at 24V AC 60mA,)

(E9) 12V DC (Current consumption at 12V DC 235mA)

(F9) 24V DC (Current consumption at 24V DC 150mA)