

ProFix Series




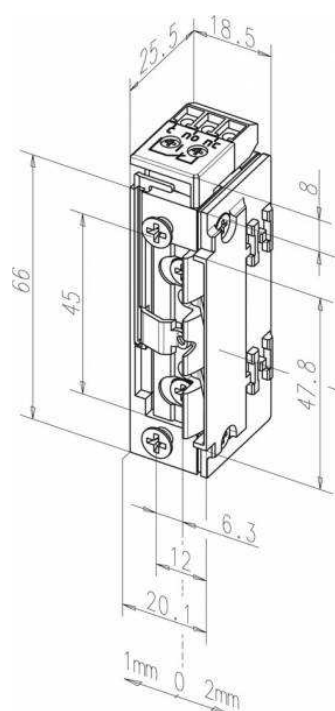
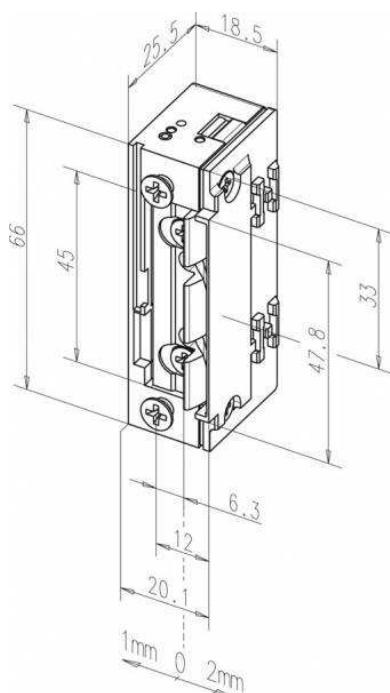
The new range of electric strikes with Profix 2, set a new standard in the market. **With these electric strikes it's not necessary to make a cut-out in the door profile to accommodate the electric strike swing.** Profix 2 it's a enhanced version of Fafix adjustment which combines adjustment on the keeper with latch bolt guide in the same electric strike.

Don't forget known extras such as monitoring contact, suppressor diode, actuating lever are possible. Both fail secure and fail safe modes of operation are available.

The universal voltage range makes it easy for you to select the voltage and reduces warehousing.

Technical Features

- Break-in resistance: 3750 N
- Symmetrical design, so can be used DIN left-hand or right-hand
- Multivoltage (Coil A7: From 12V to 24V or Coil B7: From 24V to 48V)
- Continuous operation:
 - Coil A7 – From 11 to 13V DC
 - Coil B7 – From 22 to 26V DC
- Operating temperature range: -15°C to + 40°C
- Max. latch preload AC operation: 200N
- Max. latch preload DC operation: 50N
- Material housin: Die-cast zinc
- Latch material: Brass
- EC certification 



References

	Universal	Door Monitoring Contact	Suppressor Diode	For Access Control Systems	Reference	Available Coils
Fail Secure	●				118.13	A7,B7
	●	●			118.23	A7,B7
	●		●	●	118.53	A7,B7
	●	●	●	●	118.63	A7,B7
Fail Secure (with mechanical unlocking)	●				118E13	A7,B7
	●	●			118E23	A7,B7
	●		●	●	118E53	A7,B7
Hold-open function	●				128.13	A7,B7
Hold-open function (with mechanical unlocking)	●				128E13	A7,B7
Fail Safe	●			●	138.13	E9,F9
	●	●		●	138.23	E9,F9
	●		●	●	138.53	E9,F9
	●	●	●	●	138.63	E9,F9

Please add to the electric strike reference, the striking plate and coil.

Striking Plates

HZ PROFIX (Flat striking plate with latch guide; 250mm long; For latch bolt locks with deadbolt; Stainless Steel finishing)

KL PROFIX (Flat striking plate with latch guide; 110mm long; For latch bolt locks without deadbolt; Stainless Steel finishing)

Available Coils

(A7) 10-24 V DC/AC (Current consumption at 12V DC 280mA, at 12V AC 250mA, at 24V DC 560mA, at 24V AC 500mA)

(B7) 22-42 V DC/AC (Current consumption at 24V DC 160mA, at 24V AC 60mA,)

(E9) 12V DC (Current consumption at 12V DC 235mA)

(F9) 24V DC (Current consumption at 24V DC 150mA)



Cerradero sin dispositivo ProFix2



Cerradero con dispositivo ProFix2