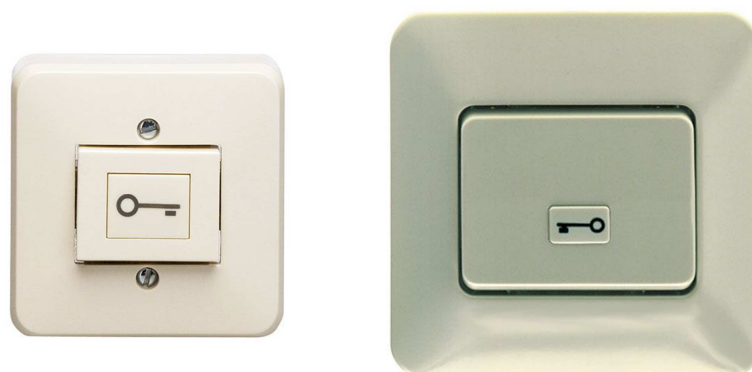


# CONTROL BUTTONS

## Door strikes buttons.

Push-button in white color with key symbol and changeover contact.

Reference	Mounting type	Dimensions
1010	surface	61x61x22mm
1011	flush	81x81 Ø55mm



## Stainless Steel push-buttons.

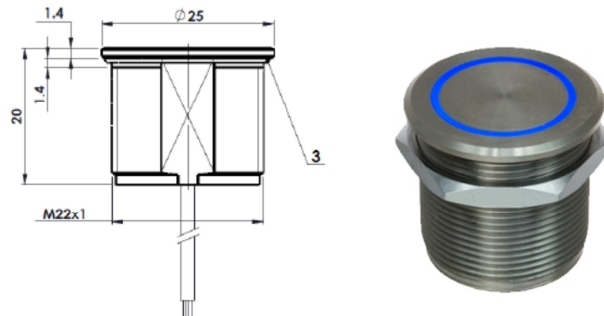
Metallic push-button with screw terminals, changeover contact and light signal. Diameter 19mm.

Reference	Light signal	Switching power	Contact type
PB19NO+NC/WT		24V-1A DC / 250V-2A CA	NO-NC
PB19NO+NC/B12/WT	Blue	24V-1A DC / 250V-2A CA	NO-NC
PB19NO+NC/G12/WT	Green	24V-1A CC / 250V-2A CA	NO-NC
PB19NO+NC/R12/WT	Red	24V-1A CC / 250V-2A CA	NO-NC



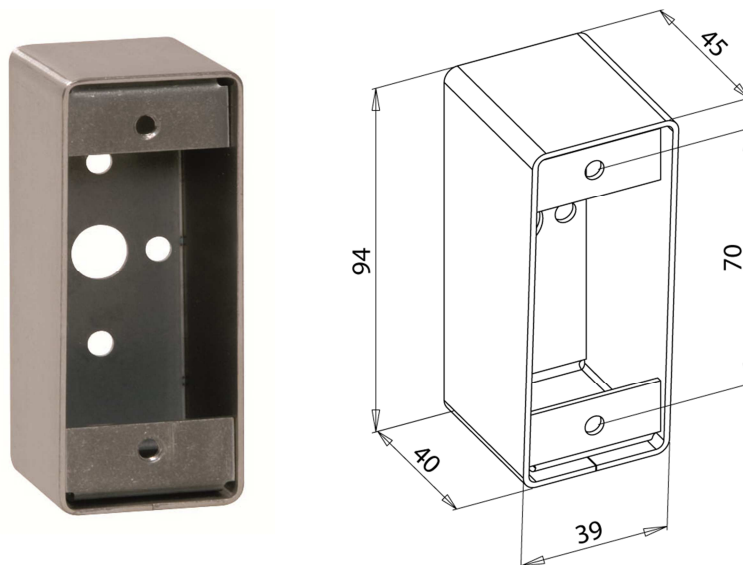
## PB22NO/RGB12 – Touch metal switch RGB Leds (Red /Green /Blue).

Touch metal piezo switch, 22mm mounting diameter, ring illuminated with multi-color RGB LEDs. The contact is normally open.



## Accessories

**PBH11** Stainless Steel housing for surface mounting with the mounting plate PBP19/FL



**PBP19/FL** Mounting plate for flush mounting or for surface mounting with housing PBH11.

